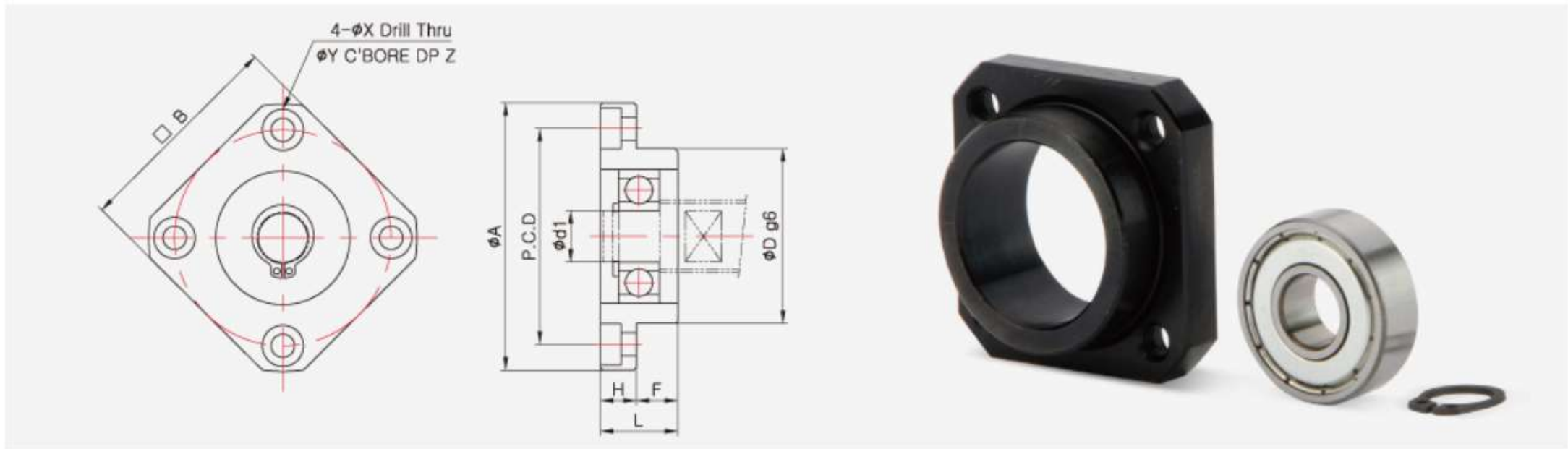


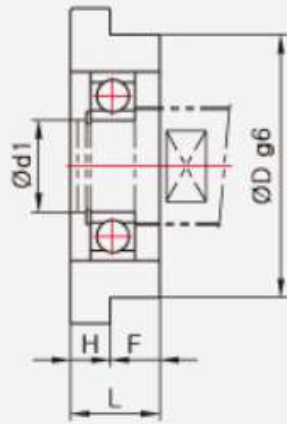
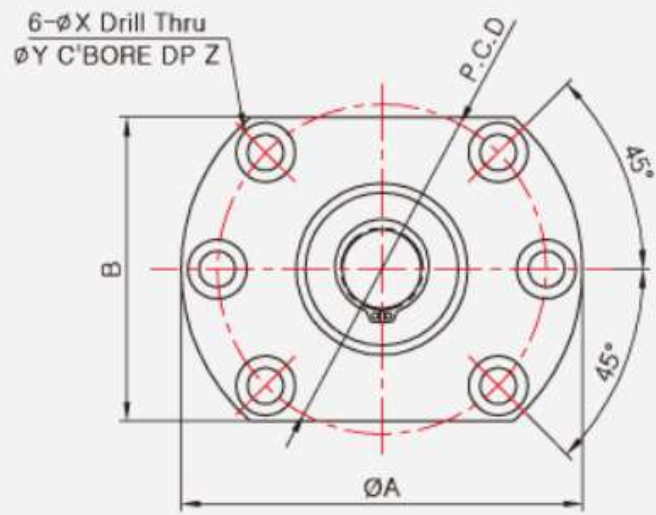
## FF Series (Supported Side)

FF-6 ~ FF-30

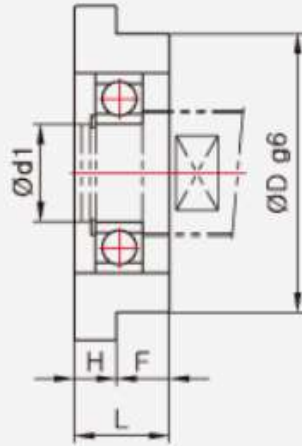
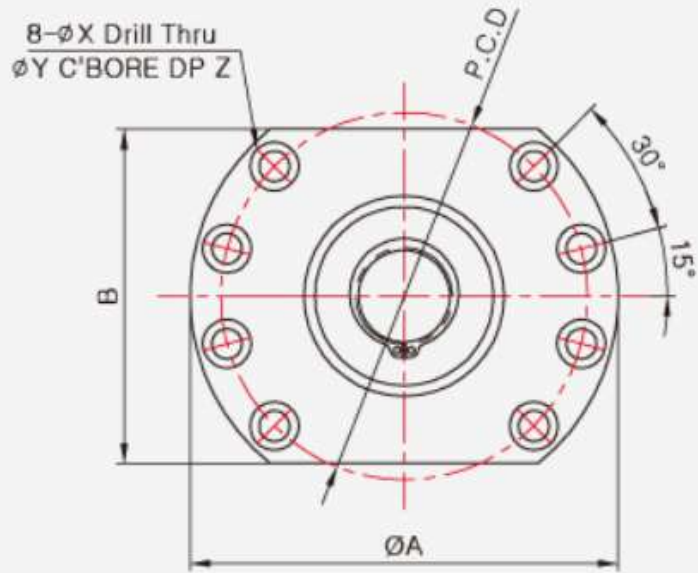


Model	CAD	Size (mm)											Mass (g)	Snap-ring	Bearing
		Body													
		d1	L	H	F	D	A	P.C.D	□B	X	Y	Z			
FF-6/FF-8		6	10	6	4	22	36	28	28	3.4	6.5	3	30	C6	606ZZ
FF-10		8	12	7	5	28	43	35	35	3.4	6.5	4	60	C8	608ZZ
FF-12		10	15	7	8	34	52	42	42	4.5	8	4	100	C10	6000ZZ
FF-15		15	17	9	8	40	63	50	52	5.5	9.5	5.5	140	C15	6002ZZ
FF-17		17	20	11	9	50	77	62	61	6.6	11	6.5	290	C17	6203ZZ
FF-20		20	20	11	9	57	85	70	68	6.6	11	6.5	380	C20	6204ZZ
FF-25		25	24	14	10	63	98	80	79	9	14	8.5	590	C25	6205ZZ
FF-30		30	27	18	9	75	117	95	93	11	17.5	11	930	C30	6206ZZ 

FF-25D, FF-30D



FF-35, FF-40



## Dimensions

Model	CAD	Size (mm)											Mass (g)	Snap-ring	Bearing
		Body													
		d1	L	H	F	D	A	P.C.D	□B	X	Y	Z			
FF-25D		25	30	15	15	80	122	100	92	11	18	11	1400	C25	6205ZZ
FF-30D		30	32	15	17	90	138	116	106	11	18	11	1800	C30	6206ZZ
FF-35		35	34	15	19	100	154	132	120	11	17.5	11	2050	C35	6207ZZ
FF-40		40	36	18	18	120	176	150	128	14	20	13	3050	C40	6208ZZ