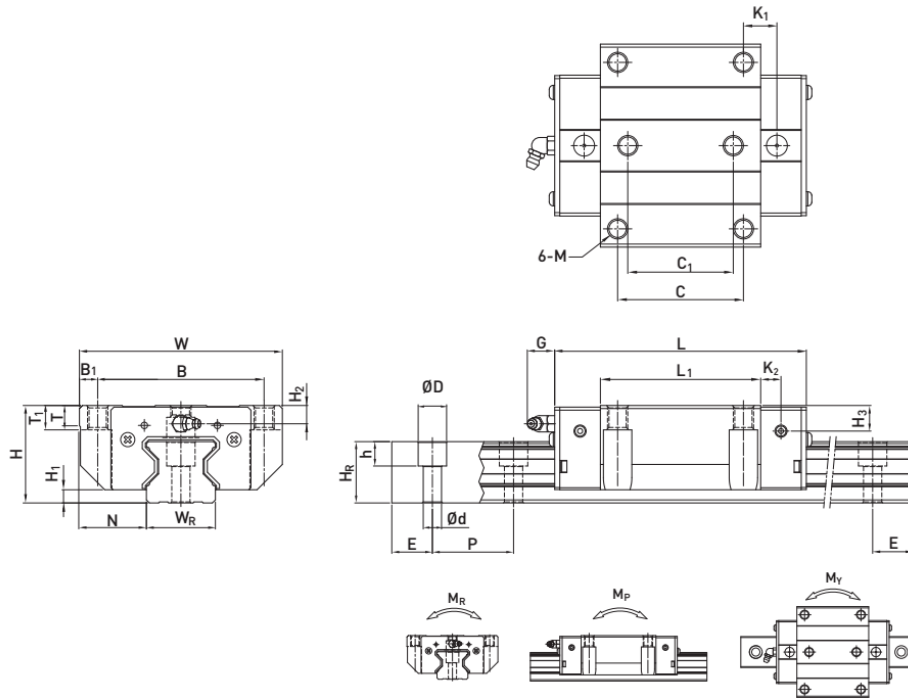


(2) RGW-CC / RGW-HC

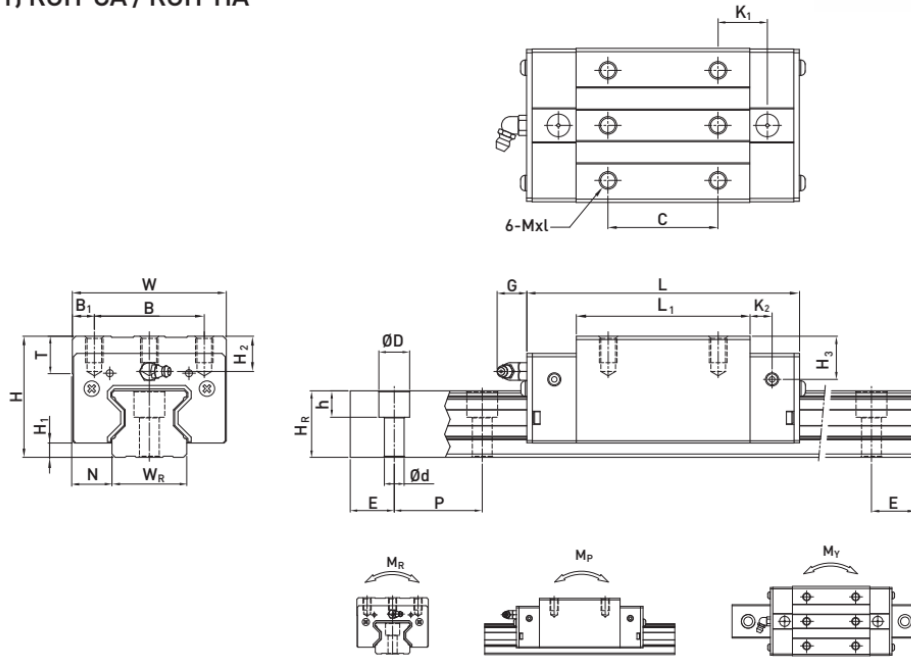


| Model No. | Dimensions of Assembly (mm) | | | Dimensions of Block (mm) | | | | | | | | | | | | | | Dimensions of Rail (mm) | | | | | | Mounting Bolt for Rail (mm) | Basic Dynamic Load Rating C _d (kN) | Basic Static Load Rating C ₀ (kN) | Static Rated Moment | | | Weight | | | | |
|-----------|-----------------------------|----------------|------|--------------------------|-----|----------------|-----|----------------|----------------|-------|----------------|----------------|------|------|-----|----------------|----------------|-------------------------|----------------|----------------|------|-----|-----|-----------------------------|---|--|---------------------|-------|-----------------------|-----------------------|-----------------------|------------|-------------|-------|
| | H | H ₁ | N | W | B | B ₁ | C | C ₁ | L ₁ | L | K ₁ | K ₂ | G | M | T | T ₁ | H ₂ | H ₃ | W _R | H _R | D | d | d | | | | P | E | M _r (kN-m) | M _p (kN-m) | M _y (kN-m) | Block (kg) | Rail (kg/m) | |
| | | | | | | | | | | | | | | | | | | | | | | | | | | | | | | | | | | |
| RGW15CC | 24 | 4 | 16 | 47 | 38 | 4.5 | 30 | 26 | 45 | 68 | 11.4 | 4.7 | 5.3 | M5 | 6 | 6.95 | 3.6 | 6.1 | 15 | 16.5 | 7.5 | 5.7 | 4.5 | 30 | 20 | M4x16 | 11.3 | 24 | 0.311 | 0.173 | 0.173 | 0.22 | 1.70 | |
| RGW20CC | 30 | 5 | 21.5 | 63 | 53 | 5 | 40 | 35 | 57.5 | 86 | 13.8 | | 6 | 5.3 | M6 | 8 | 10 | 4.3 | 4.3 | 20 | 21 | 9.5 | 8.5 | 6 | 30 | 20 | M5x20 | 21.3 | 46.7 | 0.647 | 0.46 | 0.46 | 0.47 | 2.66 |
| RGW20HC | | | | | | | | | 77.5 | 106 | 23.8 | | | | | | | | | | | | | | | | | | | | | | | |
| RGW25CC | 36 | 5.5 | 23.5 | 70 | 57 | 6.5 | 45 | 40 | 64.5 | 97.9 | 15.75 | | 7.25 | 12 | M8 | 9.5 | 10 | 6.2 | 6 | 23 | 23.6 | 11 | 9 | 7 | 30 | 20 | M6x20 | 27.7 | 57.1 | 0.758 | 0.605 | 0.605 | 0.72 | 3.08 |
| RGW25HC | | | | | | | | | 81 | 114.4 | 24 | | | | | | | | | | | | | | | | | | | | | | | |
| RGW30CC | 42 | 6 | 31 | 90 | 72 | 9 | 52 | 44 | 71 | 109.8 | 17.5 | | 8 | 12 | M10 | 9.5 | 10 | 6.5 | 7.3 | 28 | 28 | 14 | 12 | 9 | 40 | 20 | M8x25 | 39.1 | 82.1 | 1.445 | 1.06 | 1.06 | 1.16 | 4.41 |
| RGW30HC | | | | | | | | | 93 | 131.8 | 28.5 | | | | | | | | | | | | | | | | | | | | | | | |
| RGW35CC | 48 | 6.5 | 33 | 100 | 82 | 9 | 62 | 52 | 79 | 124 | 16.5 | | 10 | 12 | M10 | 12 | 13 | 9 | 12.6 | 34 | 30.2 | 14 | 12 | 9 | 40 | 20 | M8x25 | 57.9 | 105.2 | 2.17 | 1.44 | 1.44 | 1.75 | 6.06 |
| RGW35HC | | | | | | | | | 106.5 | 151.5 | 30.25 | | | | | | | | | | | | | | | | | | | | | | | |
| RGW45CC | 60 | 8 | 37.5 | 120 | 100 | 10 | 80 | 60 | 106 | 153.2 | 21 | | 10 | 12.9 | M12 | 14 | 15 | 10 | 14 | 45 | 38 | 20 | 17 | 14 | 52.5 | 22.5 | M12x35 | 92.6 | 178.8 | 4.52 | 3.05 | 3.05 | 3.43 | 9.97 |
| RGW45HC | | | | | | | | | 139.8 | 187 | 37.9 | | | | | | | | | | | | | | | | | | | | | | | |
| RGW55CC | 70 | 10 | 43.5 | 140 | 116 | 12 | 95 | 70 | 125.5 | 183.7 | 27.75 | | 12.5 | 12.9 | M14 | 16 | 17 | 12 | 17.5 | 53 | 44 | 23 | 20 | 16 | 60 | 30 | M14x45 | 130.5 | 252 | 8.01 | 5.4 | 5.4 | 5.43 | 13.98 |
| RGW55HC | | | | | | | | | 173.8 | 232 | 51.9 | | | | | | | | | | | | | | | | | | | | | | | |
| RGW65CC | 90 | 12 | 53.5 | 170 | 142 | 14 | 110 | 82 | 160 | 232 | 40.8 | | 15.8 | 12.9 | M16 | 22 | 23 | 15 | 15 | 63 | 53 | 26 | 22 | 18 | 75 | 35 | M16x50 | 213 | 411.6 | 16.20 | 11.59 | 11.59 | 11.63 | 20.22 |
| RGW65HC | | | | | | | | | 223 | 295 | 72.3 | | | | | | | | | | | | | | | | | | | | | | | |

Note : 1 kgf = 9.81 N



2-9-13 Dimensions for RG series
(1) RGH-CA / RGH-HA



| Model No. | Dimensions of Assembly (mm) | | | Dimensions of Block (mm) | | | | | | | | | | Dimensions of Rail (mm) | | | | | Mounting Bolt for Rail (mm) | Basic Dynamic Load Rating C (kN) | Basic Static Load Rating Co (kN) | Static Rated Moment | | | Weight | | | | | | |
|-----------|-----------------------------|----------------|------|--------------------------|----|----------------|-----|----------------|-------|----------------|----------------|------|----------|-------------------------|----------------|----------------|----------------|----------------|-----------------------------|----------------------------------|----------------------------------|---------------------|------|----------|--------|-------|-----------------------|-----------------------|-----------------------|------------|-------------|
| | H | H ₁ | N | W | B | B ₁ | C | L ₁ | L | K ₁ | K ₂ | G | Mxl | T | H ₂ | H ₃ | W _R | H _R | | | | D | h | d | P | E | M _R (kN-m) | M _P (kN-m) | M _Y (kN-m) | Block (kg) | Rail (kg/m) |
| | RGH15CA | 28 | 4 | 9.5 | 34 | 26 | 4 | 26 | 45 | 68 | 13.4 | 4.7 | 5.3 | M4 x 8 | 6 | 7.6 | 10.1 | 15 | | | | 16.5 | 7.5 | 5.7 | 4.5 | 30 | 20 | M4 x 16 | 11.3 | 24 | 0.311 |
| RGH20CA | 34 | 5 | 12 | 44 | 32 | 6 | 36 | 57.5 | 86 | 15.8 | | | M5 x 8 | 8 | 8.3 | 8.3 | 20 | 21 | 9.5 | 8.5 | 6 | 30 | 20 | M5 x 20 | 21.3 | 46.7 | 0.647 | 0.46 | 0.46 | 0.40 | 2.66 |
| RGH20HA | | | | | | | 50 | 77.5 | 106 | 18.8 | 6 | 5.3 | M5 x 8 | 8 | 8.3 | 8.3 | 20 | 21 | 9.5 | 8.5 | 6 | 30 | 20 | M5 x 20 | 26.9 | 63 | 0.872 | 0.837 | 0.837 | 0.53 | |
| RGH25CA | 40 | 5.5 | 12.5 | 48 | 35 | 6.5 | 35 | 64.5 | 97.9 | 20.75 | | | M6 x 8 | 9.5 | 10.2 | 10 | 23 | 23.6 | 11 | 9 | 7 | 30 | 20 | M6 x 20 | 27.7 | 57.1 | 0.758 | 0.605 | 0.605 | 0.61 | 3.08 |
| RGH25HA | | | | | | | 50 | 81 | 114.4 | 21.5 | 7.25 | 12 | M6 x 8 | 9.5 | 10.2 | 10 | 23 | 23.6 | 11 | 9 | 7 | 30 | 20 | M6 x 20 | 33.9 | 73.4 | 0.975 | 0.991 | 0.991 | 0.75 | |
| RGH30CA | 45 | 6 | 16 | 60 | 40 | 10 | 40 | 71 | 109.8 | 23.5 | | | M8 x 10 | 9.5 | 9.5 | 10.3 | 28 | 28 | 14 | 12 | 9 | 40 | 20 | M8 x 25 | 39.1 | 82.1 | 1.445 | 1.06 | 1.06 | 0.90 | 4.41 |
| RGH30HA | | | | | | | 60 | 93 | 131.8 | 24.5 | 8 | 12 | M8 x 10 | 9.5 | 9.5 | 10.3 | 28 | 28 | 14 | 12 | 9 | 40 | 20 | M8 x 25 | 48.1 | 105 | 1.846 | 1.712 | 1.712 | 1.16 | |
| RGH35CA | 55 | 6.5 | 18 | 70 | 50 | 10 | 50 | 79 | 124 | 22.5 | | | M8 x 12 | 12 | 16 | 19.6 | 34 | 30.2 | 14 | 12 | 9 | 40 | 20 | M8 x 25 | 57.9 | 105.2 | 2.17 | 1.44 | 1.44 | 1.57 | 6.06 |
| RGH35HA | | | | | | | 72 | 106.5 | 151.5 | 25.25 | 10 | 12 | M8 x 12 | 12 | 16 | 19.6 | 34 | 30.2 | 14 | 12 | 9 | 40 | 20 | M8 x 25 | 73.1 | 142 | 2.93 | 2.6 | 2.6 | 2.06 | |
| RGH45CA | 70 | 8 | 20.5 | 86 | 60 | 13 | 60 | 106 | 153.2 | 31 | | | M10 x 17 | 16 | 20 | 24 | 45 | 38 | 20 | 17 | 14 | 52.5 | 22.5 | M12 x 35 | 92.6 | 178.8 | 4.52 | 3.05 | 3.05 | 3.18 | 9.97 |
| RGH45HA | | | | | | | 80 | 139.8 | 187 | 37.9 | 10 | 12.9 | M10 x 17 | 16 | 20 | 24 | 45 | 38 | 20 | 17 | 14 | 52.5 | 22.5 | M12 x 35 | 116 | 230.9 | 6.33 | 5.47 | 5.47 | 4.13 | |
| RGH55CA | 80 | 10 | 23.5 | 100 | 75 | 12.5 | 75 | 125.5 | 183.7 | 37.75 | | | M12 x 18 | 17.5 | 22 | 27.5 | 53 | 44 | 23 | 20 | 16 | 60 | 30 | M14 x 45 | 130.5 | 252 | 8.01 | 5.4 | 5.4 | 4.89 | 13.98 |
| RGH55HA | | | | | | | 95 | 173.8 | 232 | 51.9 | 12.5 | 12.9 | M12 x 18 | 17.5 | 22 | 27.5 | 53 | 44 | 23 | 20 | 16 | 60 | 30 | M14 x 45 | 167.8 | 348 | 11.15 | 10.25 | 10.25 | 6.68 | |
| RGH65CA | 90 | 12 | 31.5 | 126 | 76 | 25 | 70 | 160 | 232 | 60.8 | | | M16 x 20 | 25 | 15 | 15 | 63 | 53 | 26 | 22 | 18 | 75 | 35 | M16 x 50 | 213 | 411.6 | 16.20 | 11.59 | 11.59 | 8.89 | 20.22 |
| RGH65HA | | | | | | | 120 | 223 | 295 | 67.3 | 15.8 | 12.9 | M16 x 20 | 25 | 15 | 15 | 63 | 53 | 26 | 22 | 18 | 75 | 35 | M16 x 50 | 275.3 | 572.7 | 22.55 | 22.17 | 22.17 | 12.13 | |

Note : 1 kgf = 9.81 N