

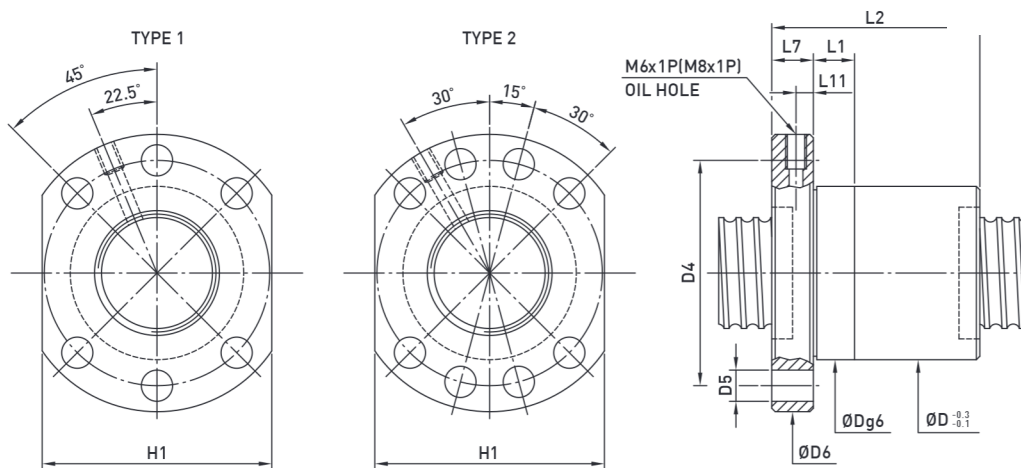
7.5 Dimensions for DIN Rolled Ballscrews

FSC / FSI Type (DIN 69051 part 5 form B) ◀ Stock

LHC

LINE HAREKAT CO.

گروه صنعتی لاین حرکت



Model	Size		Ball Dia.	Circuits	Dynamic Load 1x10 ⁶ revs C (kgf)	Static Load Co (kgf)	Nut		Flange										PCD
	Nominal Dia.	Lead					L2	D	D4	D5	D6	H1	L7	TYPE	L1	L11	M-Oil Hold		
15-5K3	15	5	3	3	990	1580	38	28	38	5.5	48	40	10	1	10	5	M6×1P	14.93	
16-5T3	16	5	3.175	3	1000	2000	40	28	38	5.5	48	40	10	1	10	5	M6×1P	16.175	
20-5K3	20	5	3.175	3	1280	2410	36	36	47	6.6	58	44	10	1	10	5	M6×1P	20.2	
20-5K4	20	5	3.175	4	1670	3270	40	36	47	6.6	58	44	10	1	10	5	M6×1P	20.2	
25-5K3	25	5	3.175	3	1420	3050	38	40	51	6.6	62	48	10	1	10	5	M6×1P	25.57	
25-5K4	25	5	3.175	4	1850	4150	43	40	51	6.6	62	48	10	1	10	5	M6×1P	25.57	
25-10K5	25	10	3.175	5	2260	5200	70	40	51	6.6	62	48	10	1	10	5	M6×1P	25.1	
32-5K4	32	5	3.175	4	2070	5360	38	50	65	9	80	62	12	1	10	6	M6×1P	32.4	
32-5K6	32	5	3.175	6	2980	8190	48	50	65	9	80	62	12	1	10	6	M6×1P	32.4	
32-10T3	32	10	6.35	3	3650	8660	74	50	65	9	80	62	12	1	16	6	M6×1P	34.25	
32-10T4	32	10	6.35	4	4680	11550	85	50	65	9	80	62	12	1	16	6	M6×1P	34.26	
32-10K5	32	10	3.969	5	3390	8160	73	50	65	9	80	62	12	1	10	6	M6×1P	32.62	
32-10K6	32	10	3.969	6	3990	9860	83	50	65	9	80	62	12	1	10	6	M6×1P	32.62	
40-5K4	40	5	3.175	4	2240	6590	40	63	78	9	93	70	14	2	10	7	M8×1P	40.03	
40-5K6	40	5	3.175	6	3220	10060	50	63	78	9	93	70	14	2	10	7	M8×1P	40.03	
38-10K3	38	10	6.35	3	4350	9140	60	63	78	9	93	70	14	2	20	7	M8×1P	39.3	
40-10T3	40	10	6.35	3	4030	10680	74	63	78	9	93	70	14	2	16	7	M8×1P	41.85	
38-10K4	38	10	6.35	4	5660	12410	70	63	78	9	93	70	14	2	20	7	M8×1P	39.3	
40-10T4	40	10	6.35	4	5170	14240	87	63	78	9	93	70	14	2	16	7	M8×1P	41.85	
50-5K4	50	5	3.175	4	2450	8330	40	75	93	11	110	85	16	2	10	8	M8×1P	50.05	
50-5K6	50	5	3.175	6	3530	12720	50	75	93	11	110	85	16	2	10	8	M8×1P	50.05	
50-10K3	50	10	6.35	3	4960	12240	60	75	93	11	110	85	16	2	20	8	M8×1P	51.93	
50-10K4	50	10	6.35	4	6450	16610	70	75	93	11	110	85	16	2	20	8	M8×1P	51.93	
50-10K6	50	10	6.35	6	9280	25350	90	75	93	11	110	85	16	2	20	8	M8×1P	51.93	
63-10K6	63	10	6.35	6	10180	31750	94	90	108	11	125	95	18	2	10	9	M8×1P	64.534	