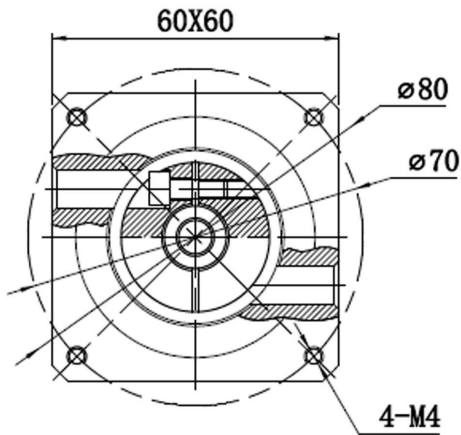
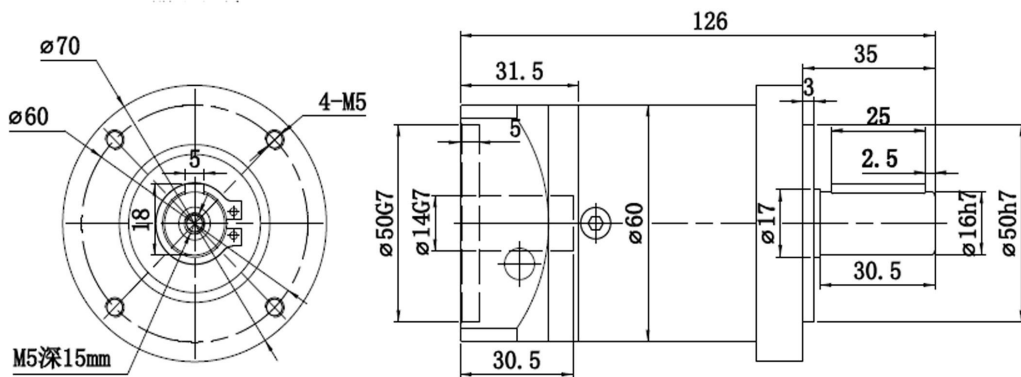


LE 70 - 2 Stage



| | | | | | | | | | |
|--------|----|----|----|----|----|----|----|----|----|
| ratio | 9 | 12 | 15 | 16 | 20 | 25 | 32 | 40 | 64 |
| torque | 44 | 44 | 40 | 44 | 44 | 40 | 44 | 40 | 18 |