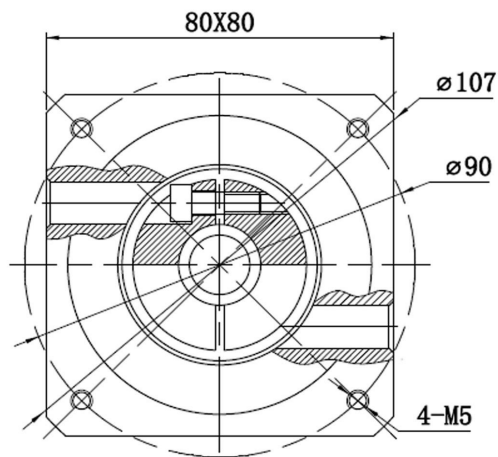
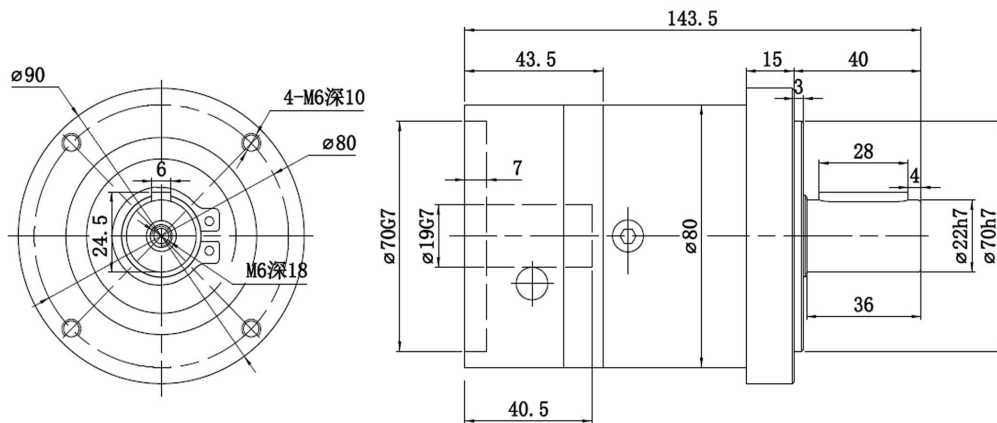


# LE90 - 1 Stage



## Specifications:

- Instant Stop Torque: 2 times of rated torque
- Max Radial Torque: 650N
- Max Axial Torque: 900N
- Full Load Efficiency: 96%
- Backlash: 8arcmin
- Noise: 60dB(A), distance 1m

Ratio	3	4	5	8	10
Torque	40	50	50	45	45