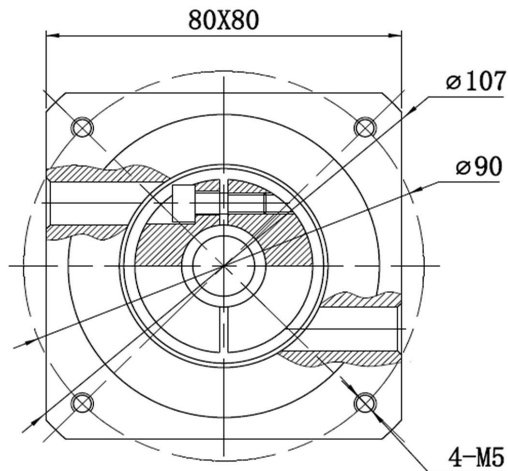
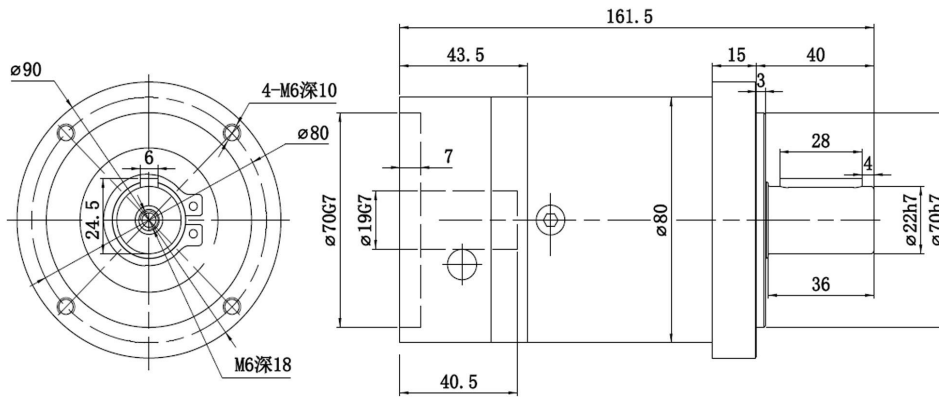


# LE90 - 2 Stage



## Specifications:

Instant Stop Torque: 2 times of rated torque

Max Radial Torque: 650N

Max Axial Torque: 900N

Full Load Efficiency: 94%

Backlash: 10arcmin

Noise: 60dB(A), distance 1m

Ratio	9	12	15	16	20	25	32	40	64
Torque	110	120	110	120	120	110	120	110	50