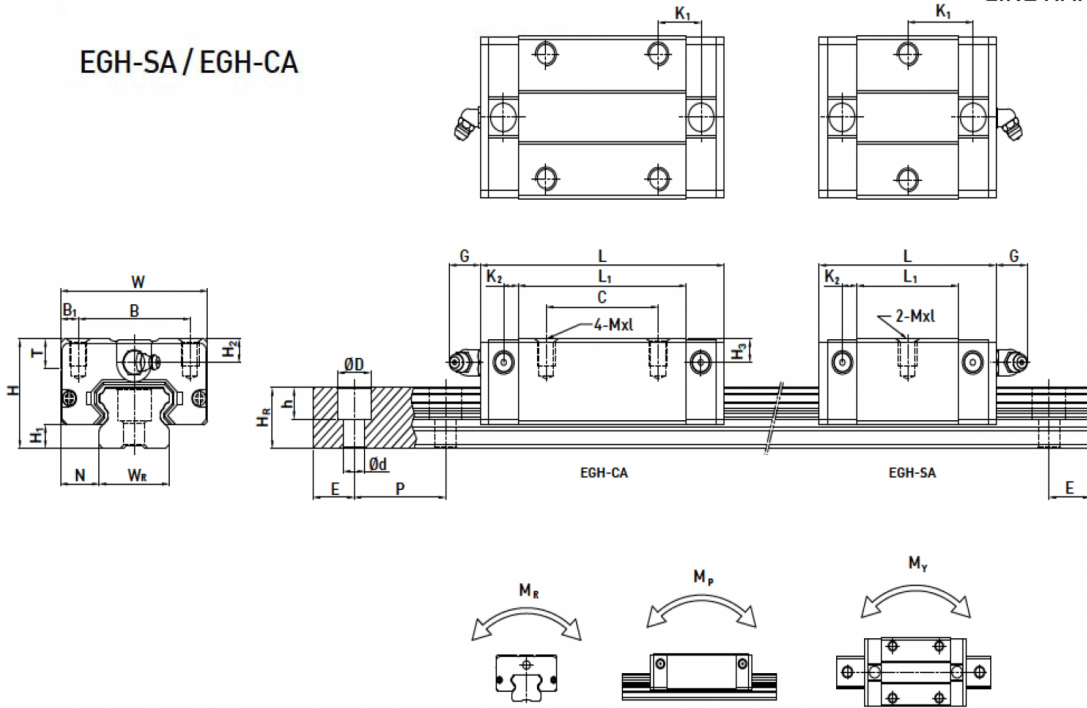


EGH-SA/EGH-CA



| Model No. | Dimensions of Assembly (mm) | | Dimensions of Block (mm) | | | | | | | | | | Dimensions of Rail (mm) | | | | | Mounting Bolt for Rail (mm) | Basic Dynamic Load Rating C (kN) | Basic Static Load Rating C _s (kN) | Static Rated Moment | | | Weight | | | | | | | |
|-----------|-----------------------------|----------------|--------------------------|----|----|----------------|----|----------------|------|----------------|----------------|-----|-------------------------|-----|----------------|----------------|----------------|-----------------------------|----------------------------------|--|---------------------|----|----|--------|-------|-------|----------------|----------------|----------------|-------|------|
| | H | H ₁ | N | W | B | B ₁ | C | L ₁ | L | K ₁ | K ₂ | G | Mxl | T | H ₂ | H ₃ | W _k | | | | H _k | D | h | d | P | E | M _R | M _p | M _y | Block | Rail |
| | mm | mm | mm | mm | mm | mm | mm | mm | mm | mm | mm | mm | mm | mm | mm | mm | mm | | | | mm | mm | mm | mm | mm | mm | mm | kN-m | kN-m | kN-m | kg |
| EGH15SA | 24 | 4.5 | 9.5 | 34 | 26 | 4 | - | 23.1 | 40.1 | 14.8 | 3.5 | 5.7 | M4x6 | 6 | 5.5 | 6 | 15 | 12.5 | 6 | 4.5 | 3.5 | 60 | 20 | M3x16 | 5.35 | 9.40 | 0.08 | 0.04 | 0.04 | 0.09 | 1.25 |
| EGH15CA | | | | | | | 26 | 39.8 | 56.8 | 10.15 | | | | | | | | | | | | | | | | | | | | | |
| EGH20SA | 28 | 6 | 11 | 42 | 32 | 5 | - | 29 | 50 | 18.75 | 4.15 | 12 | M5x7 | 7.5 | 6 | 6 | 20 | 15.5 | 9.5 | 8.5 | 6 | 60 | 20 | M5x16 | 7.23 | 12.74 | 0.13 | 0.06 | 0.06 | 0.15 | 2.08 |
| EGH20CA | | | | | | | 32 | 48.1 | 69.1 | 12.3 | | | | | | | | | | | | | | | | | | | | | |
| EGH25SA | 33 | 7 | 12.5 | 48 | 35 | 6.5 | - | 35.5 | 59.1 | 21.9 | 4.55 | 12 | M6x9 | 8 | 8 | 8 | 23 | 18 | 11 | 9 | 7 | 60 | 20 | M6x20 | 11.40 | 19.50 | 0.23 | 0.12 | 0.12 | 0.25 | 2.67 |
| EGH25CA | | | | | | | 35 | 59 | 82.6 | 16.15 | | | | | | | | | | | | | | | | | | | | | |
| EGH30SA | 42 | 10 | 16 | 60 | 40 | 10 | - | 41.5 | 69.5 | 26.75 | 6 | 12 | M8x12 | 9 | 8 | 9 | 28 | 23 | 11 | 9 | 7 | 80 | 20 | M6x25 | 16.42 | 28.10 | 0.40 | 0.21 | 0.21 | 0.45 | 4.35 |
| EGH30CA | | | | | | | 40 | 70.1 | 98.1 | 21.05 | | | | | | | | | | | | | | | | | | | | | |

Note : 1 kgf = 9.81 N