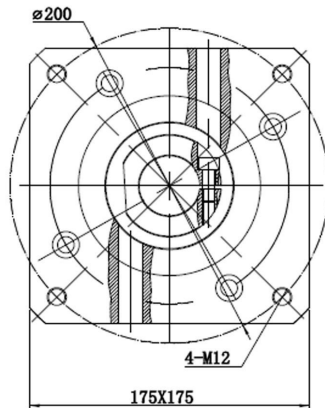
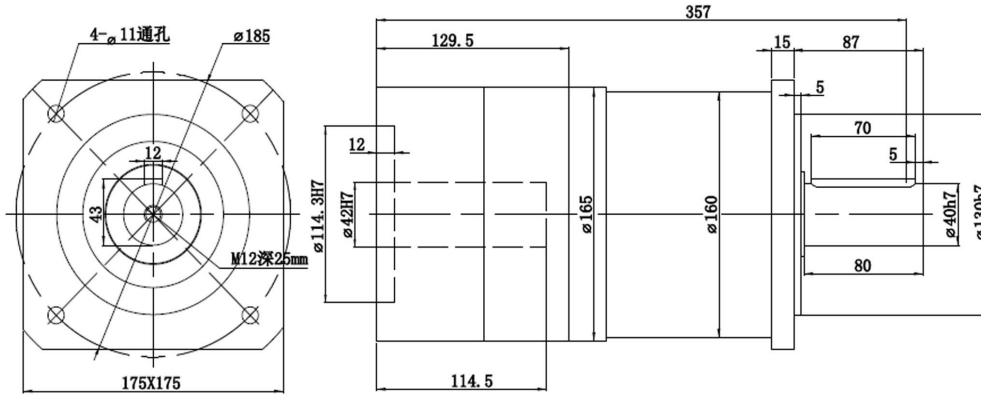


LB 160 - 2 Stage



Specification:

Gear Ratio: 25:1

Rated Torque: 700N.m

Instant Stop Torque: 2 times of rated torque

Max Ratial Torque

Ratio	9	12	15	16	20	25	32	40	64
Torque	400	800	700	800	800	700	800	700	450