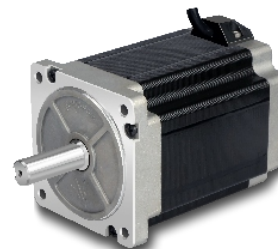


## NEMA 34 2-phase

### Overview:

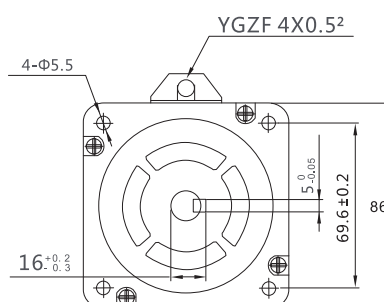
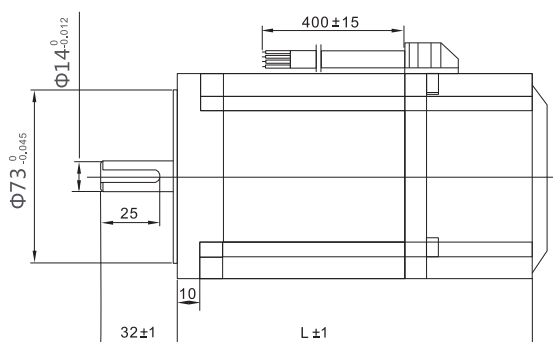
CM series NEMA 34 two-phase stepper motor covers multiple types of standard motors from 3.5 N.m to 12 N.m, along with the motors with double shafts, brake, and waterproof system to apply to various scenarios.

Note: In such specifications tables, (\*\*) represents recommended models with permanent inventory; (\*) represents the models with permanent inventory. Models with temporary inventory are stocked for four to six weeks.



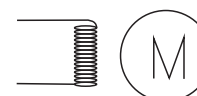
### Brake Models:

Length (mm)	Model	Holding Torque (N.m)	Rate Current (A)	Resistance/Phase(Ω)	Inductance/Phase(mH)	Inertia (Kg cm <sup>2</sup> )	Matching Drives
114	86CM45-BZ	4.5	6	0.43	2.95	1.40	EM880S/EM882S
132	86CM80-BZ	8.0	6	0.63	4.0	2.50	EM880S/EM882S
152	86CM85-BZ	8.5	6	0.53	4.25	2.70	EM880S/EM882S
163	86CM120-BZ	12.0	6	0.75	5.30	2.94	EMA882S



A+ Black

A- Red

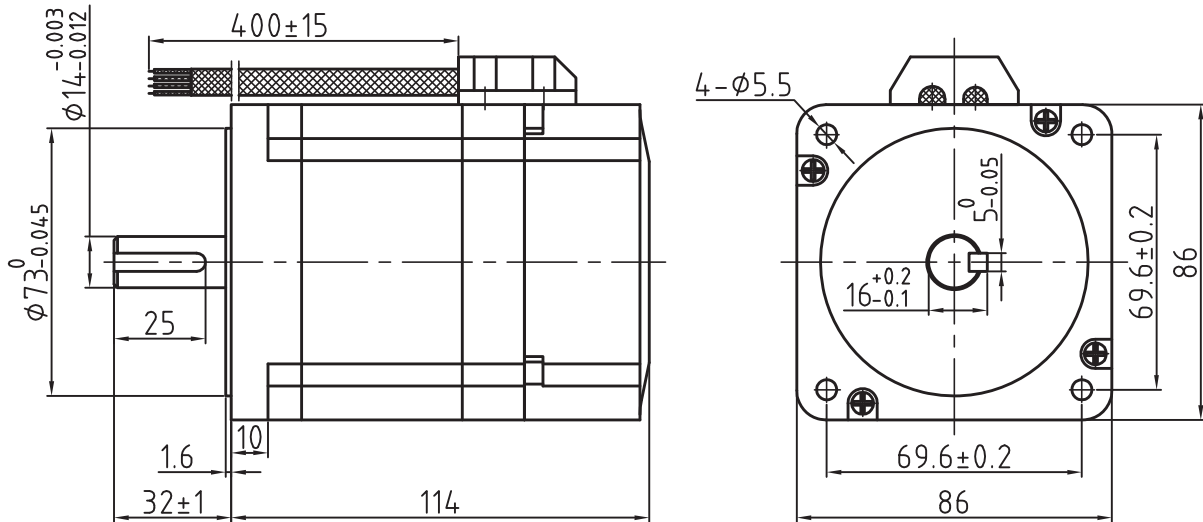


B+ Yellow B- Blue



# 86CM45-BZ

Dimension: (Unit: mm)



### Common Rating

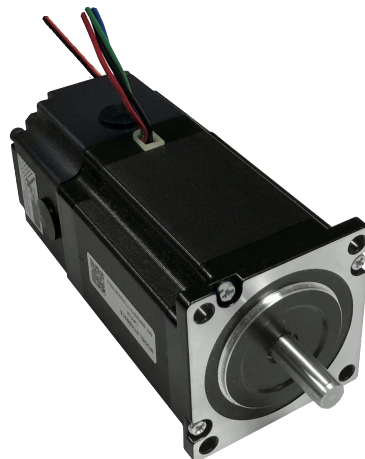
Step angle	1.8°
Position accuracy	1.8±0.09°
Dielectric strength	1000VAC 1min
Insulation resistance	100MΩhm(500VDC)
Insulation class	B
Temp rise(Max)	80K
Radial play	Max.0.02mm(Load 450g)
Axial play	Max.0.08mm(Load 900g)

### Specification

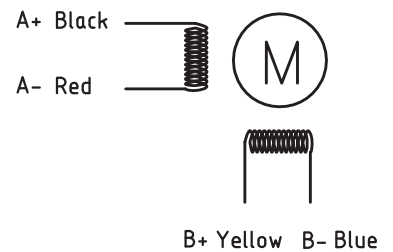
Current/phase	4.2 A
Voltage	3.2 V
DC Resistance/phase ±10%	0.51 Ω
Inductance/phase ±20%	4.7 mH
Holding torque	4.6 N·M
Inertia	2.0 kg·cm <sup>2</sup>
Weight	2.9 kg

### Brake Specification

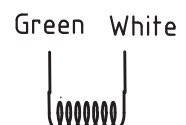
Voltage	24Vdc
Friction torque	4N·M



### Motor Connctions

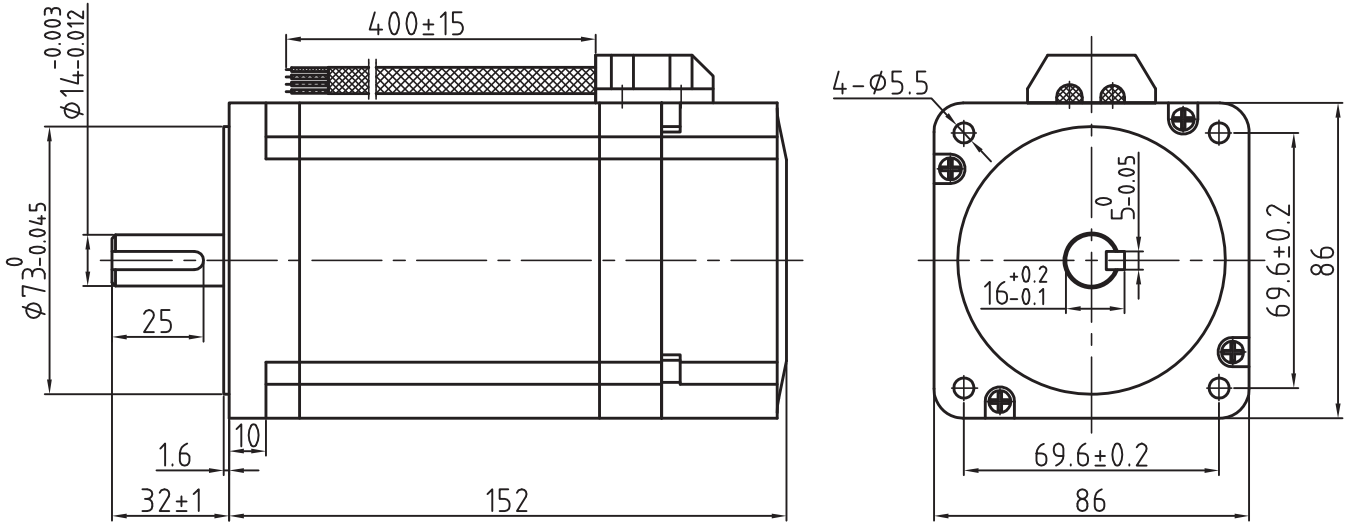


### Brake Connctions



# 86CM85-BZ

Dimension: (Unit: mm)



## Common Rating

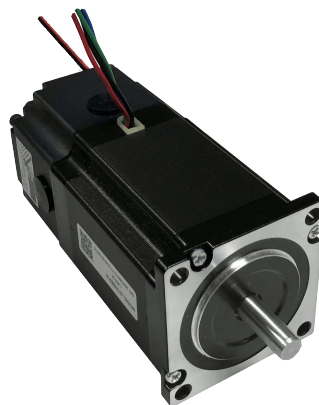
Step angle	1.8°
Position accuracy	1.8±0.09°
Dielectric strength	1000VAC 1min
Insulation resistance	100MΩ(500VDC)
Insulation class	B
Temp rise(Max)	80K
Radial play	Max.0.02mm(Load 450g)
Axial play	Max.0.08mm(Load 900g)

## Specification

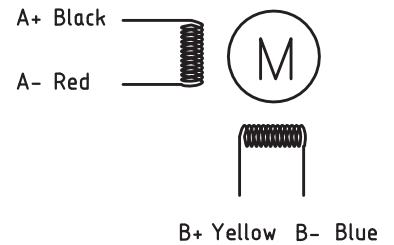
Current/phase	6.0 A
Voltage	3.2 V
DC Resistance/phase ±10%	0.53 Ω
Inductance/phase ±20%	3.9 mH
Holding torque	8 N·M
Inertia	2.8 kg·cm <sup>2</sup>
Weight	4.2 kg

## Brake Specification

Voltage	24Vdc
Friction torque	4N·M



## Motor Connctions



## Brake Connctions

